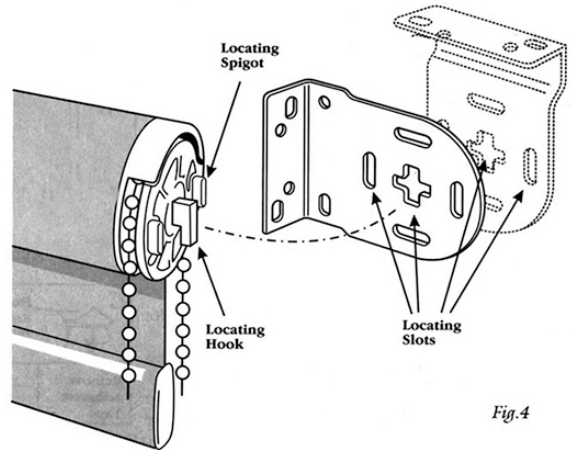
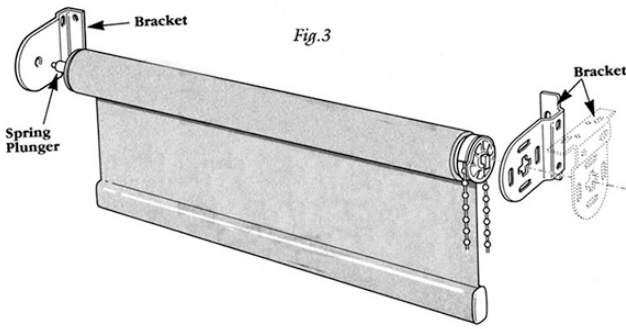


FITTING INSTRUCTIONS



Fitting the Brackets

Bracket positions illustrated are for a blind with the control chain on the right. For a blind with the control chain on the left the brackets should be at the opposite ends. Brackets can be fixed to any flat surface above, behind or to the side of the blind. They must be level to ensure the smooth operation of the blind. Check that the rolled up fabric will not touch any surface. To calculate the spacing between the brackets add 35mm ($1\frac{3}{8}$ ") to the width of the blind fabric. Fix the brackets so that the **outsides** of the brackets are this distance apart.

Fitting the Blind

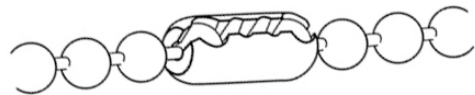
Hold the blind to the brackets with the fabric hanging from the back of the blind. Fit the spring plunger into its bracket. Push the blind into this bracket, depressing the plunger.

With the locating hook pointing downwards place the hook into the vertical part of the '+' shaped hole in the bracket. Allow the hook to drop downwards so that it locks into place in the bracket.

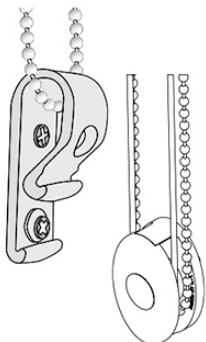
IMPORTANT

Our blinds are fitted with a CHAIN-BREAK CONNECTOR as pictured below. This will make the chain break apart when undue pressure is applied on the operating chain but, after inspection, can be reconnected again.

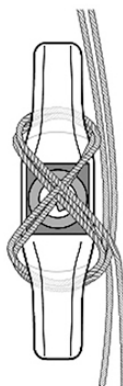
THE BEST WAY TO OPERATE YOUR BLIND IS TO *PULL IT ABOVE THE BREAK CONNECTOR* THEREFORE LIMITING IT BREAKING.



If you do have young children in the house, you may want to add the items below for extra safety precautions.



Cord/Chain tidys & tensioners



Cleat